

VAPOUR PROOF LINEAR

CTVPROOF-1200-NW-38



KEY SPECIFICATIONS

38W
POWER

5YR*
WARRANTY

EPISTAR
LED's inside

IP65

4560
LUMENS

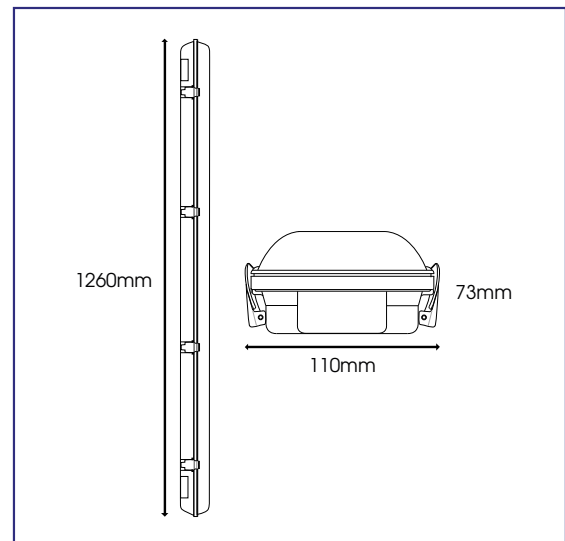
TRIDONIC
Driver as Standard



Specification	Vapour Proof 38W
System Power	38W
LED Chipset	Epistar
Driver Manufacturer	Tridonic
Colour Rendering Index	>85
Lumen Output	4560Lm
LED Efficacy	120 Lm/cW
Dimmable	Contact Office
Power Factor	0.958
IP Rating	IP65
Beam Spread	120 °
Colour Temperature	4000K
Housing Material	Polycarbonate
Diffuser Type	Polycarbonate
Input Voltage	AC200-240V, 47-63Hz
Operating Temperature	-20 to 55 °C
Dimensions	1260mm x 110mm x 73mm
MacAdam Step	2.8
Lifetime	50,000 hours, L70-B10 (Ta 25 °C)

* Warranty terms and conditions apply

TECHNICAL DRAWINGS



LUMINOUS INTENSITY DISTRIBUTION DIAGRAM

