



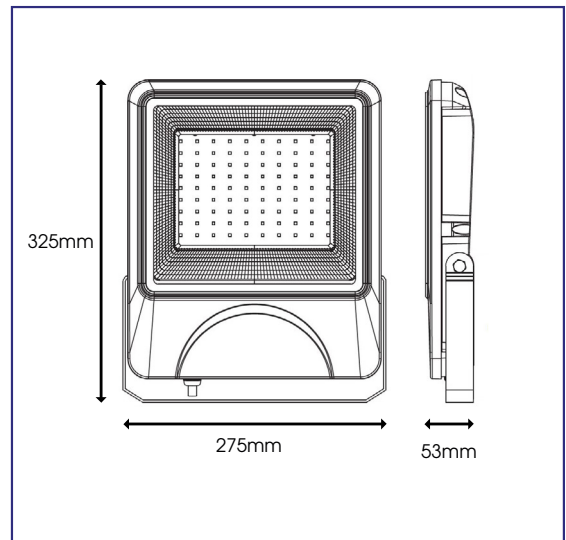
KEY SPECIFICATIONS

100W POWER	5YR* WARRANTY	EPISTAR LED's inside
IP66	12000 LUMENS	

Specification	Flood 100W
System Power	100W
Driver Manufacturer	Mean Well
LED Chipset	Epistar
Colour Rendering Index	>85
Lumen Output	12000Lm
LED Efficacy	120 Lm/cW
Dimmable	Contact Office
Power Factor	0.97
IP Rating	IP66
Colour Temperature	5700K
Housing Material	High Grade 6063 Aluminium
Lens Material	Tempered Glass
Input Voltage	AC200-240V, 47-63Hz
Operating Temperature	-20 to 50 °C
Cable Flex	1m
Weight	3.5kg
Dimensions	325mm x 275mm x 53mm
MacAdam Step	2.8
Lifetime	50,000 hours, L70-B10 (Ta 25 °C)

* Warranty terms and conditions apply

TECHNICAL DRAWINGS



LUMINOUS INTENSITY DISTRIBUTION DIAGRAM

