

C-DOME DOWNLIGHT (228mm)

CTDOME-25-FR



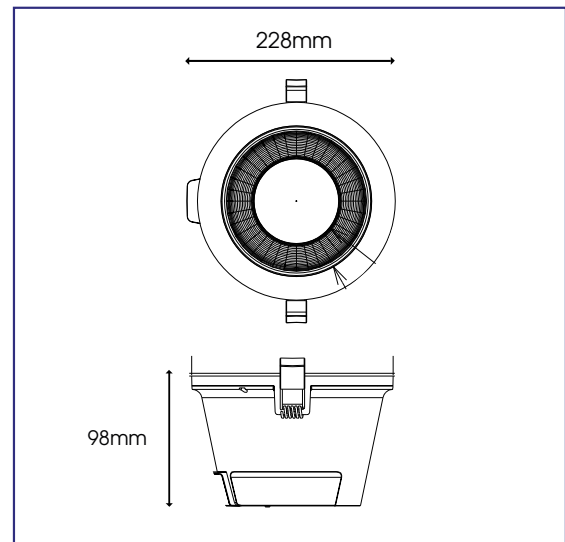
KEY SPECIFICATIONS



Specification	Downlight - 228mm
System Power	25W
Driver Manufacturer	Tridonic
LED Chipset	Epistar
Colour Rendering Index	>80
Typical UGR	<22
Lumen Output	2625Lm
LED Efficacy	105 Lm/cW
Dimmable	On request
Power Factor	>0.9
IP Rating	IP54
Beam Spread	60 °
Colour Temperature	3000K/4000K/5700K
Housing Material	Aluminium/Polycarbonate
Reflector Type	Facetted
Operating Temperature	-20 to 45 °C
Input Voltage	AC90-305V
Cut Out	205mm
Dimensions	ø228mm x 98mm
MacAdam Step	2.8
Lifetime	50,000 hours, L70-B10 (Ta 25 °C)

* Warranty terms and conditions apply

TECHNICAL DRAWINGS



LUMINOUS INTENSITY DISTRIBUTION DIAGRAM

