

# ARCH TROFFER PANEL

CTARCH-30-6X6NW



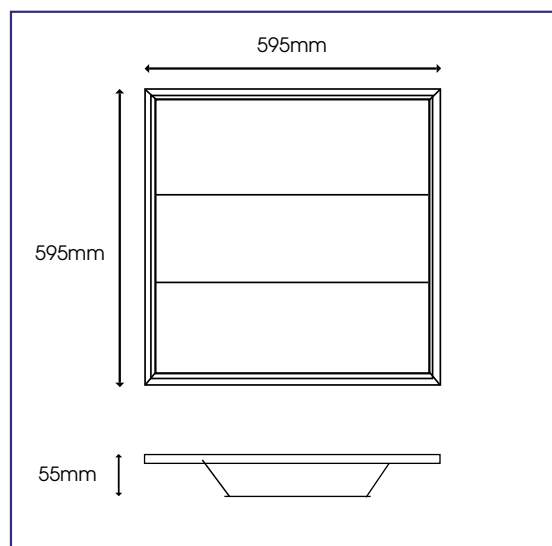
## KEY SPECIFICATIONS



Specification	Arch Panel
System Power	30W
Driver Manufacturer	Tridonic
LED Chipset	Epistar
Diffuser	Opal (Polycarbonate)
Colour Rendering Index	>85
Typical UGR	<19
LED Efficacy	126 Lm/cW
Lumen Output	3780Lm
Power Factor	>0.9
IP Rating	IP40
Beam Spread	78 °
Colour Temperature	4000K
Operating Temperature	-20 to 45 °C
Input Voltage	AC 220-240, 50-60Hz
Weight	3kg
Dimensions	595mm x 595mm x 55mm
MacAdam Step	2.8
Lifetime	50,000 hours, L70-B10 (Ta 25 °C)

\* Warranty terms and conditions apply

## TECHNICAL DRAWINGS



## LUMINOUS INTENSITY DISTRIBUTION DIAGRAM

