

SLIM-LINE DOWNLIGHT (110mm)

CTSLIM-10-110-CW



KEY SPECIFICATIONS



10W
POWER

5YR*
WARRANTY

EPISTAR
LED's inside



OPAL
DIFFUSER

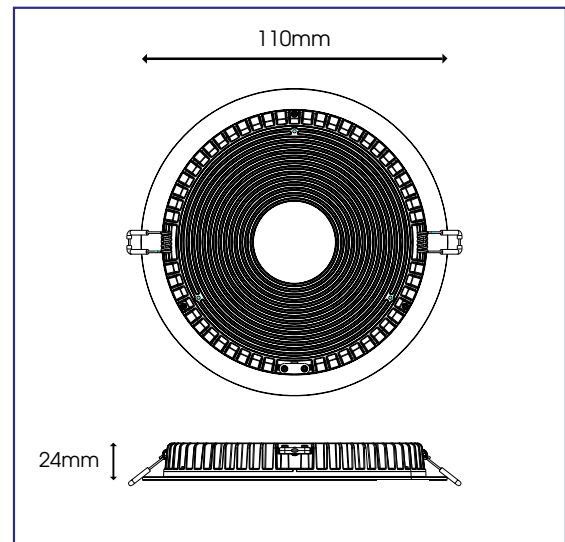
1150
LUMENS

TRIDONIC
Driver as Standard

Specification	Downlight 110
System Power	10W
Driver Manufacturer	Tridonic
LED Chipset	Epistar
Diffuser	Opal
Colour Rendering Index	>85
Typical UGR	<19
LED Efficacy	115 Lm/cW
Lumen Output	1150Lm
Fire Rating	TP(a)
Dimmable	Contact Office
Power Factor	0.9
IP Rating	IP65
Beam Spread	90°
Colour Type	Single
Colour Temperature	6000K
Housing Material	High Grade 6063 Aluminium
Cut Out	95mm
Operating Temperature	-20 to 50 °C
Input Voltage	AC 200-240V, 50-60Hz
Weight	0.3kg
Dimensions	110mm x 24mm
MacAdam Step	2.8
Lifetime	50,000 hours, L70-B10 (Ta 25 °C)

* Warranty terms and conditions apply

TECHNICAL DRAWINGS



LUMINOUS INTENSITY DISTRIBUTION DIAGRAM

