

MOONSHINE BULKHEAD

CTMOON-16-TC



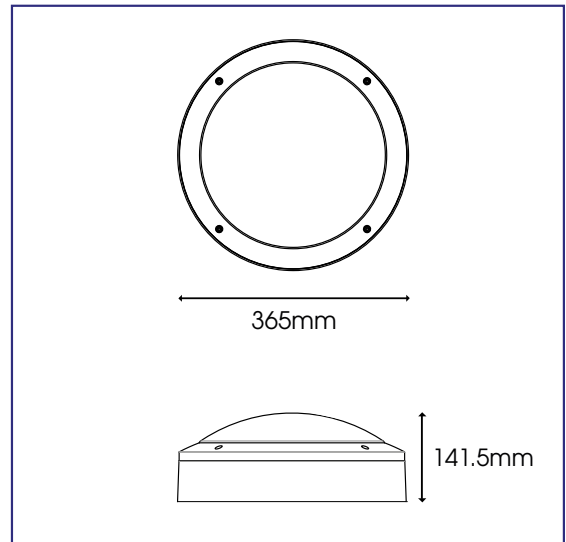
KEY SPECIFICATIONS

IP65	16W POWER	5YR* WARRANTY	EPISTAR LED's inside
IK10	TRI COLOUR	1350 LUMENS	

Specification	Moonshine
System Power	16W
Driver Manufacturer	Q-Drive
LED Chipset	Epistar
Colour Rendering Index	>80
Lumen Output	1350Lm
LED Efficacy	85 Lm/cW
Dimmable	Contact Office
Power Factor	>0.95
IP Rating	IP65
IK Rating	IK10
Colour Temperature	3000K/4000K/5000K
Housing Material	Die-cast Aluminium
Diffuser Material	Polycarbonate
Input Voltage	AC200-240V
Weight	3.2kg
Dimensions	365mm x 141.5mm
MacAdam Step	2.8
Lifetime	50,000 hours, L70-B10 (Ta 25 °C)

* Warranty terms and conditions apply

TECHNICAL DRAWINGS



LUMINOUS INTENSITY DISTRIBUTION DIAGRAM

