

# C-LINEAR SURFACE/SUSPENDED

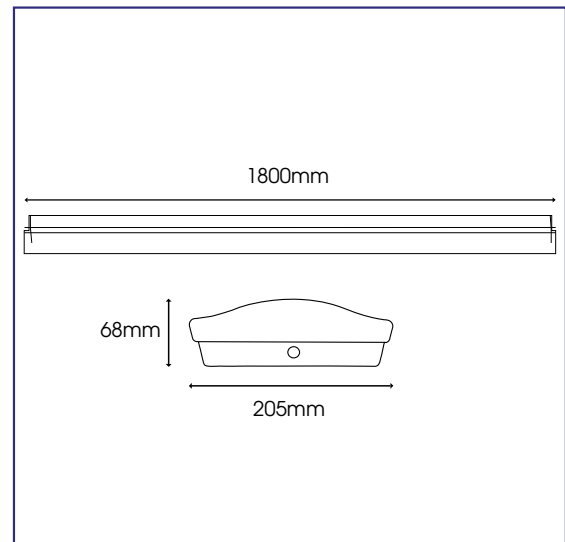
CTLINE-1800-65-NW



## KEY SPECIFICATIONS



## TECHNICAL DRAWINGS



Specification	Linear 65W
System Power	65W
LED Chipset	Epistar
Driver Manufacturer	Tridonic
Colour Rendering Index	>85
Typical UGR	<19
Lumen Output	7800Lm
LED Efficacy	120 Lm/cW
Dimmable	Contact Office
Fire Rating	TP(a)
Power Factor	0.9821
IP Rating	IP40
Housing Material	Steel
Diffuser Type	Polycarbonate Reeded Diffuser
Colour Temperature	4000K
Operating Temperature	-30 to 42 °C
Input Voltage	AC 220-240V
Weight	4.8kg
Dimensions	1800mm x 205mm x 68mm
MacAdam Step	2.8
Lifetime	50,000 hours, L70-B10 (Ta 25 °C)

\* Warranty terms and conditions apply

## LUMINOUS INTENSITY DISTRIBUTION DIAGRAM

