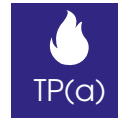


C-BULK TRI-COLOUR BULKHEAD

CTBULK-20-TC



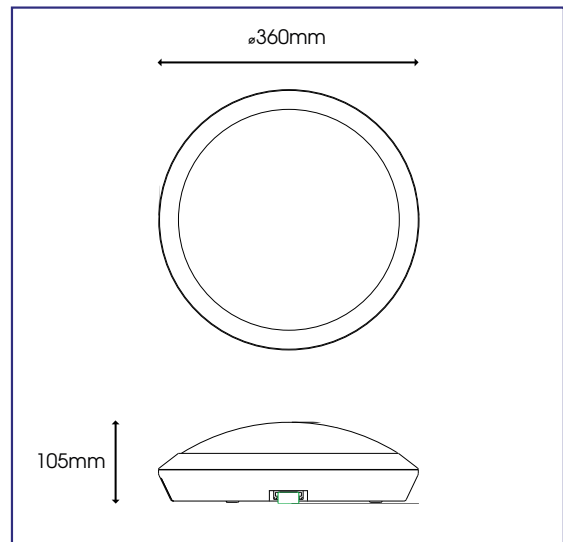
KEY SPECIFICATIONS



Specification	Bulkhead 20W
System Power	20W
Non-sensor Driver	Tridonic
Sensor Driver	Merrytek
LED Chipset	Epistar
Colour Rendering Index	>80
Lumen Output	2100Lm
LED Efficacy	105 Lm/cW
Dimmable	All types available
IK Rating	IK10
IP Rating	IP66
Power Factor	0.997
Fire Rating	TP(a)
Beam Spread	160 °
Colour Temperature	3000K/4000K/6000K
Operating Temperature	-20 to 30 °C
Weight	0.9kg
Dimensions	ø360mm x 105mm
MacAdam Step	2.8
Lifetime	50,000 hours, L70-B10 (Ta 25 °C)

* Warranty terms and conditions apply

TECHNICAL DRAWINGS



LUMINOUS INTENSITY DISTRIBUTION DIAGRAM

