

# C-BULK SURFACE BULKHEAD

CTBULK-20-NW



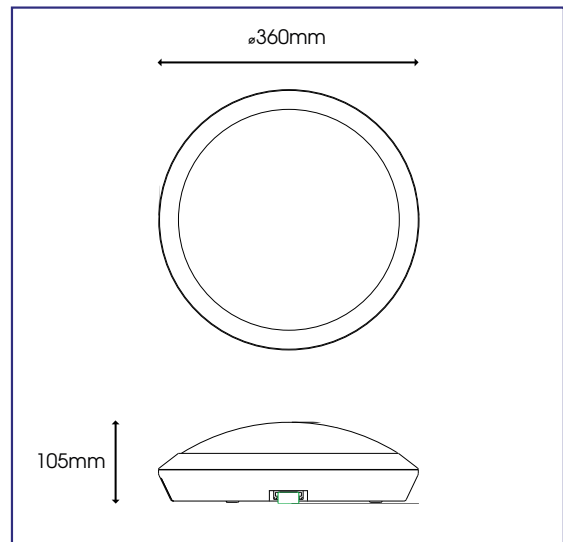
## KEY SPECIFICATIONS



Specification	Bulkhead 20W
System Power	20W
Non-sensor Driver	Tridonic
Sensor Driver	Merrytek
LED Chipset	Epistar
Colour Rendering Index	>80
Lumen Output	2100Lm
LED Efficacy	105 Lm/cW
Dimmable	All types available
IK Rating	IK10
IP Rating	IP66
Power Factor	0.997
Fire Rating	TP(a)
Beam Spread	120 °
Colour Temperature	4000K
Operating Temperature	-20 to 30 °C
Weight	0.9kg
Dimensions	ø360mm x 105mm
MacAdam Step	2.8
Lifetime	50,000 hours, L70-B10 (Ta 25 °C)

\* Warranty terms and conditions apply

## TECHNICAL DRAWINGS



## LUMINOUS INTENSITY DISTRIBUTION DIAGRAM

