

C-BULK SURFACE BULKHEAD

CTBULK-10/15-NW



KEY SPECIFICATIONS



10W/15W
POWER

5YR*
WARRANTY

EPISTAR

LED's inside



1050/1575
LUMENS

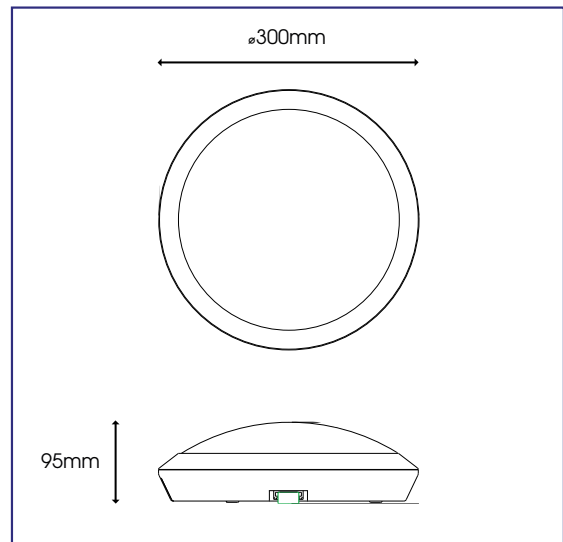
TRIDONIC

Driver as Standard

Specification	Bulkhead 10W/15W
System Power	10W/15W
Non-sensor Driver	Tridonic
Sensor Driver	Merrytek
LED Chipset	Epistar
Colour Rendering Index	>80
Lumen Output	1050Lm/1575Lm
LED Efficacy	105 Lm/cW
Dimmable	All types available
IK Rating	IK10
IP Rating	IP66
Power Factor	0.997
Fire Rating	TP(a)
Beam Spread	120 °
Colour Temperature	4000K
Operating Temperature	-20 to 30 °C
Weight	0.6kg
Dimensions	ø300mm x 95mm
MacAdam Step	2.8
Lifetime	50,000 hours, L70-B10 (Ta 25 °C)

* Warranty terms and conditions apply

TECHNICAL DRAWINGS



LUMINOUS INTENSITY DISTRIBUTION DIAGRAM

